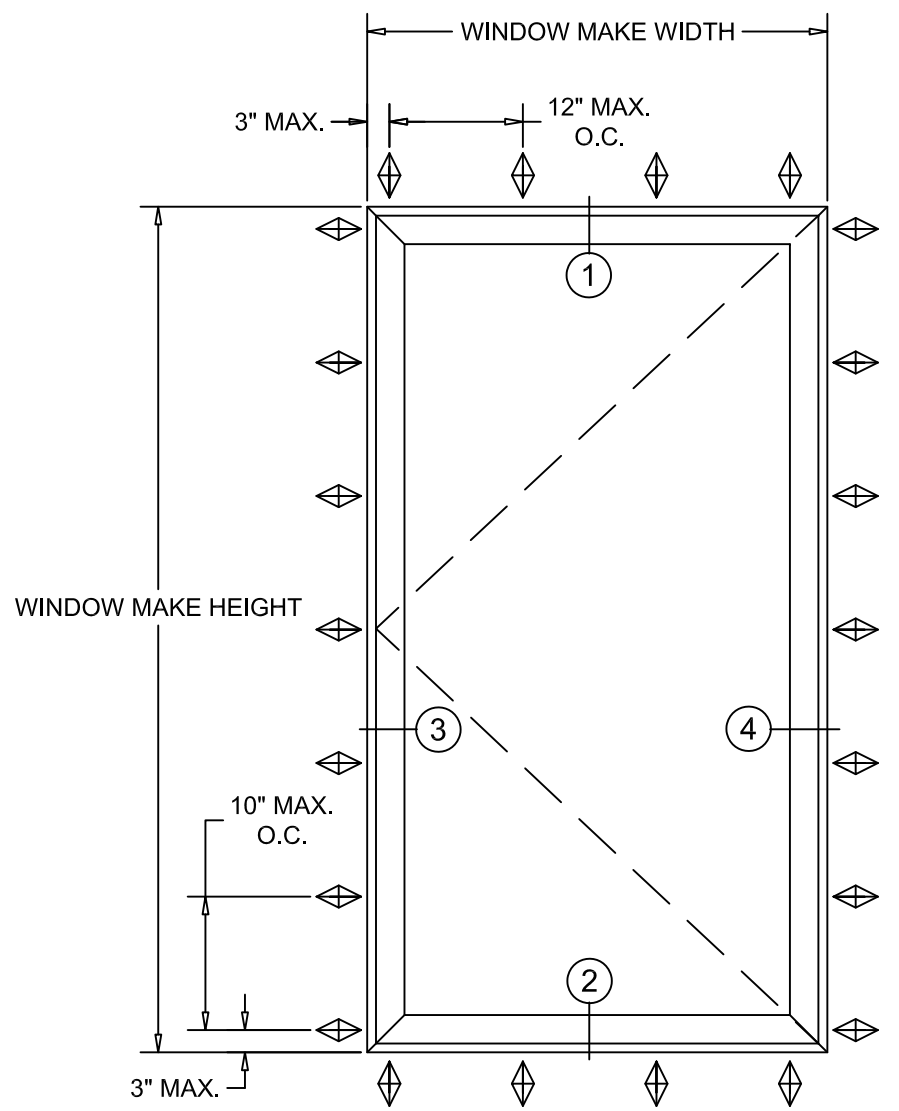


NOTE: TYPICAL C600/C605 TWO TONE FIXED WINDOW - INSTALLATION INSTRUCTIONS



Maximum				
FW	FH	DLO-W	DLO-H	Pressure
48"	84"	42 1/4"	78 1/4"	± 70 PSF

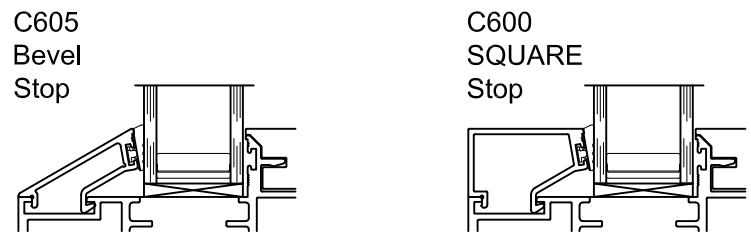
Mark A

1" Insulating Glass
Two lights 1/4" Annealed Glass
with 1/2" Spacer

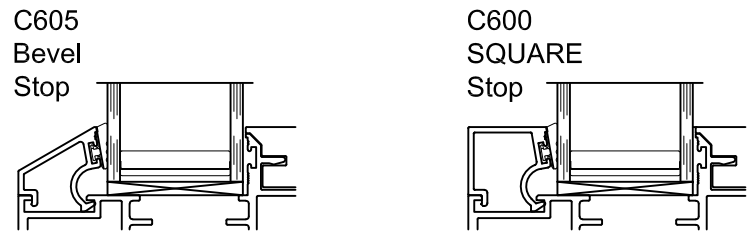
1 3/8" Insulating Glass
Two lights 1/4" Annealed Glass
with 7/8" Spacer

Notes:

1. Installations depicted satisfy the requirements of the 8th Edition (2023) of the Florida Building Code for Wind Pressures and Overall Sizes shown.
2. As Tested Anchor spacings are shown on the Elevations.
3. Wood Framing are assumed to Southern Pine (G=0.55) or denser.
4. Metal stud frames are assumed to be a minimum 16 gauge 33 KSI Steel.
5. Concrete masonry (CMU) shall conform to ASTM C90.
6. Concrete shall be minimum $f_c = 3,000$ psi.
7. Wood Screws shall meet requirements of ANSI/ASME B18.6.1.
8. TEKS screws shall be ASTM A510 Grade 1018 or equivalent.
9. Hilti Kwik-Con + anchors as specified in NOA 21-0628.20
10. Maximum Frame Shim Space is $1/4"$ as shown. Shims shall be non-compressible load bearing type.
11. Exterior and Interior shall be sealed according to Shop Drawings.
12. Products shown are NOT Impact Resistant.
13. Not for use in High Velocity Hurricane Zone (HVHZ).
14. Sealing and flashing strategies and overall water infiltration performance of the installed product are by others and not addressed by this document.



Standard 1" I.G.



Optional 1 3/8" I.G.

Tanya A. Dolby, P.E.
FL P.E. No. 93536
Intertek – ATI
130 Derry Ct. York, PA 17406
(717) 764-7700
Project: Q5070.01

Project Name:
**C600/C605 Casement
Two Tone
Installation Instructions**

GENERAL NOTES

QUAKER WINDOW PRODUCTS
WILL NOT BE RESPONSIBLE
FOR FIELD MEASUREMENT,
QUANTITIES, & INSTALLATION
DESIGN. CONTRACTOR MUST
VERIFY ALL DIMENSIONS.

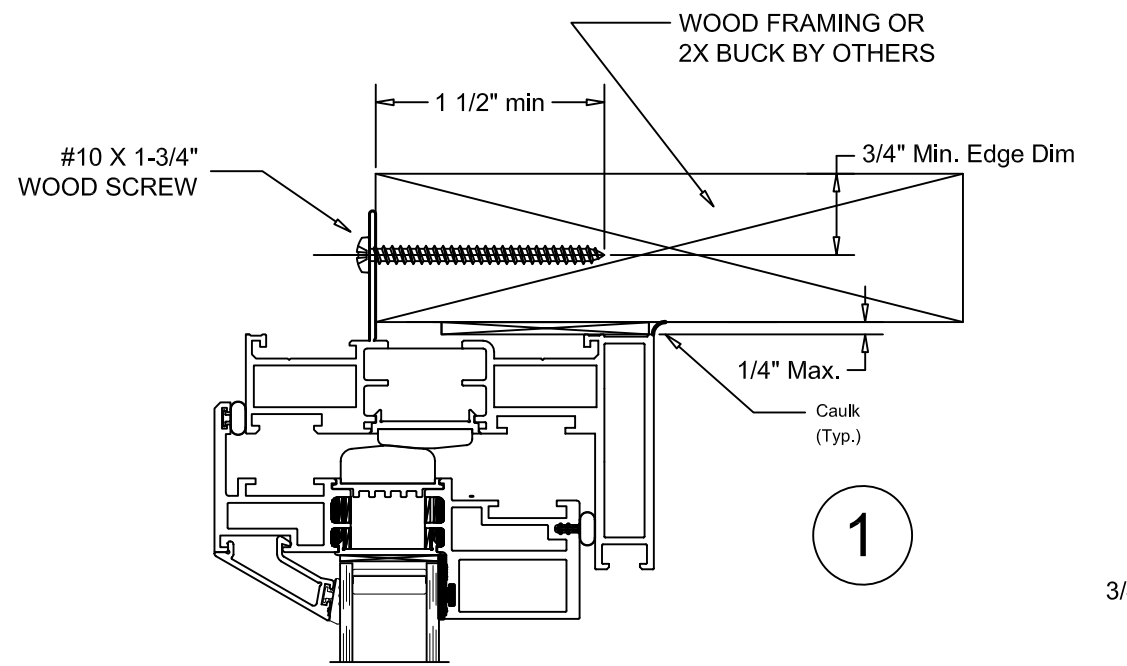
PHONE (573)-744-5211
FAX (573)-744-5586
COMMERCIAL
FAX (573)-744-5822
www.quakerwindows.com

Scale: **NONE**
504 Highway 63 South
Freeburg, MO 65035
drafting@quakerwindows.com

Drawn By: **Bud**
Date: **08-22-2023**

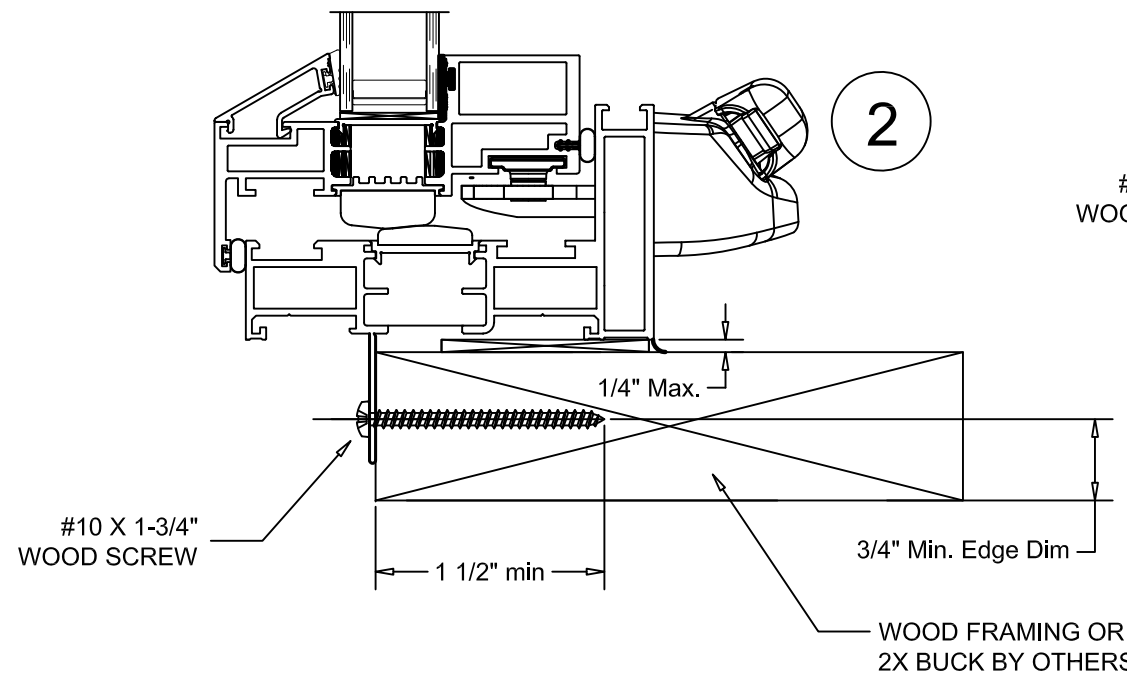


NOTE: TYPICAL C600/C605 ONE TONE - CASEMENT WINDOW - NAIL FIN INSTALLATION



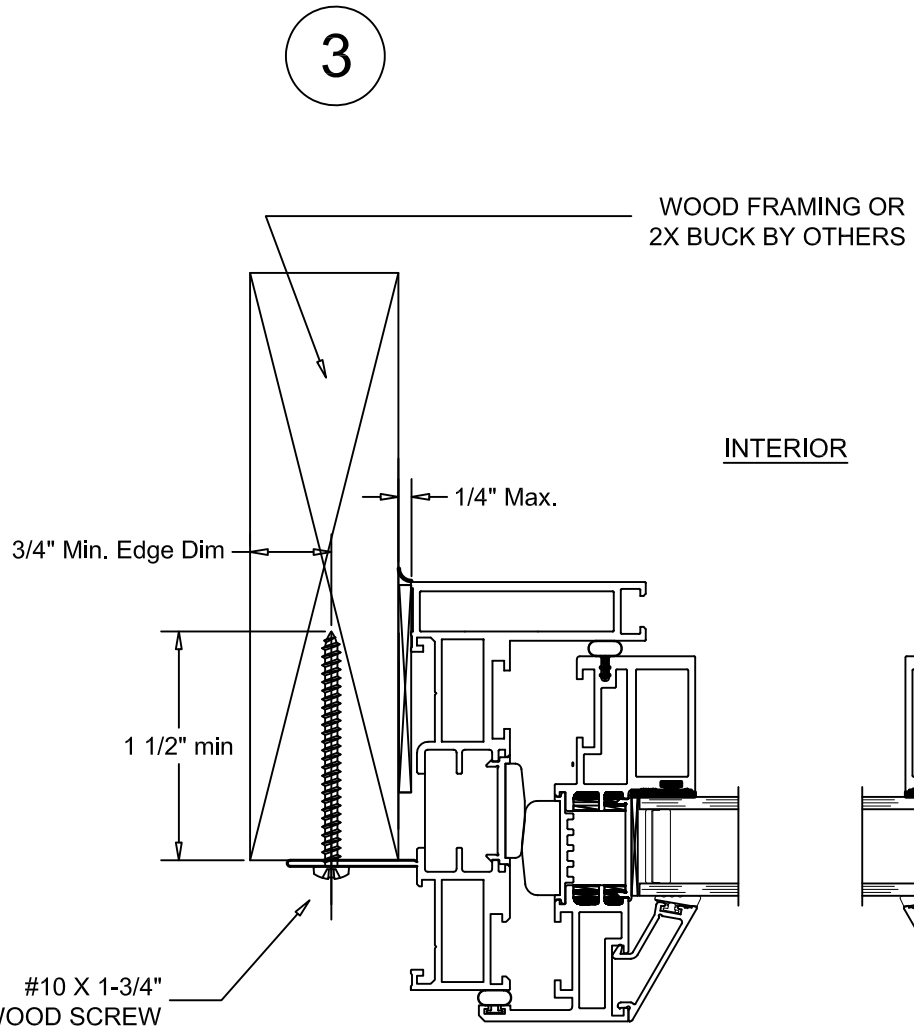
EXTERIOR

INTERIOR



VERTICAL SECTION DETAIL

WOOD FRAMING INSTALLATION

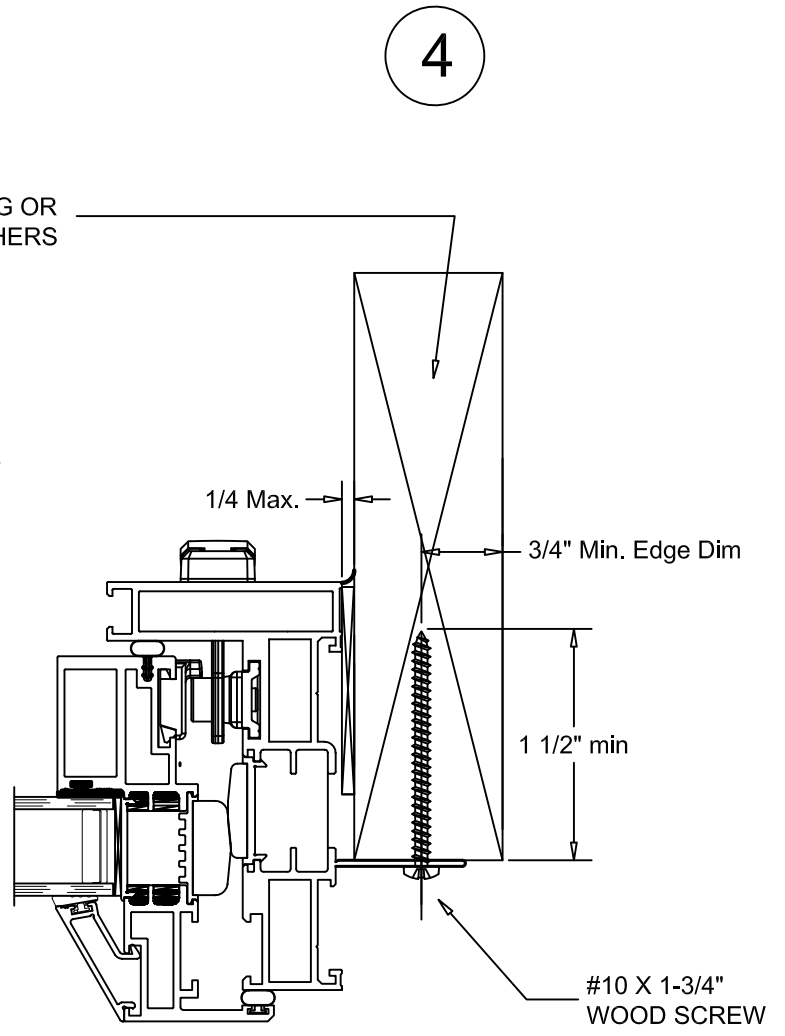


INTERIOR

EXTERIOR

HORIZONTAL SECTION DETAIL

WOOD FRAMING INSTALLATION



Project Name: **C600/C605 Casement One Tone**
Installation Instructions

GENERAL NOTES

QUAKER WINDOW PRODUCTS WILL NOT BE RESPONSIBLE FOR FIELD MEASUREMENT, QUANTITIES, & INSTALLATION DESIGN. CONTRACTOR MUST VERIFY ALL DIMENSIONS.

PHONE (573)-744-5211
FAX (573)-744-5586
COMMERCIAL
FAX (573)-744-5822
www.quakerwindows.com

Scale: NONE
504 Highway 63 South
Freeburg, MO 65035
drafting@quakerwindows.com

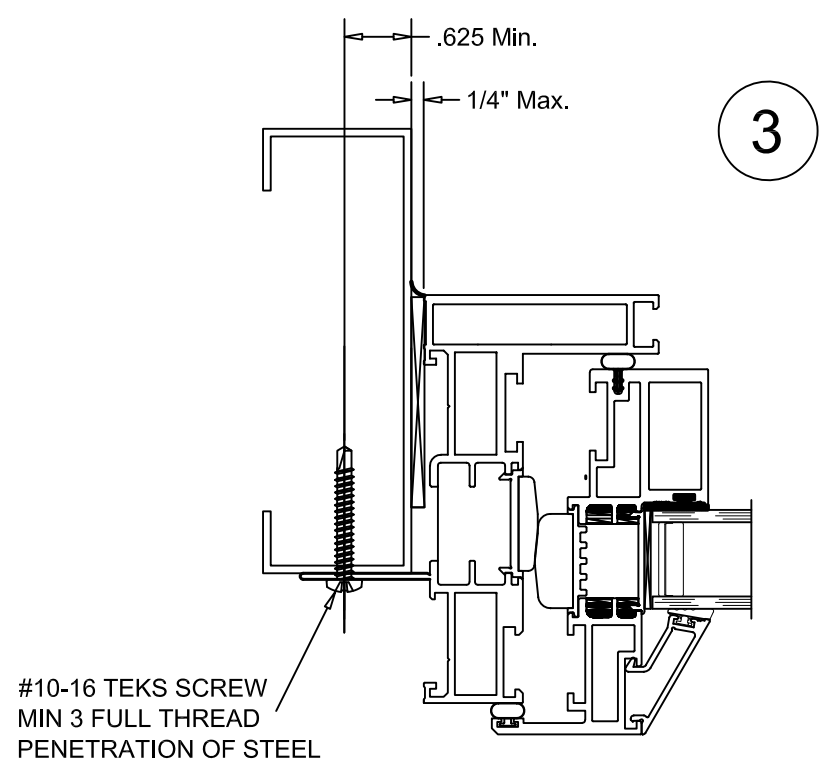
Drawn By: Bud
Date: 08-22-2023

Tanya A. Dolby, P.E.
FL P.E. No. 93536
Intertek - ATI
130 Derry Ct. York, PA 17406
(717) 764-7700
Project: Q5070.01

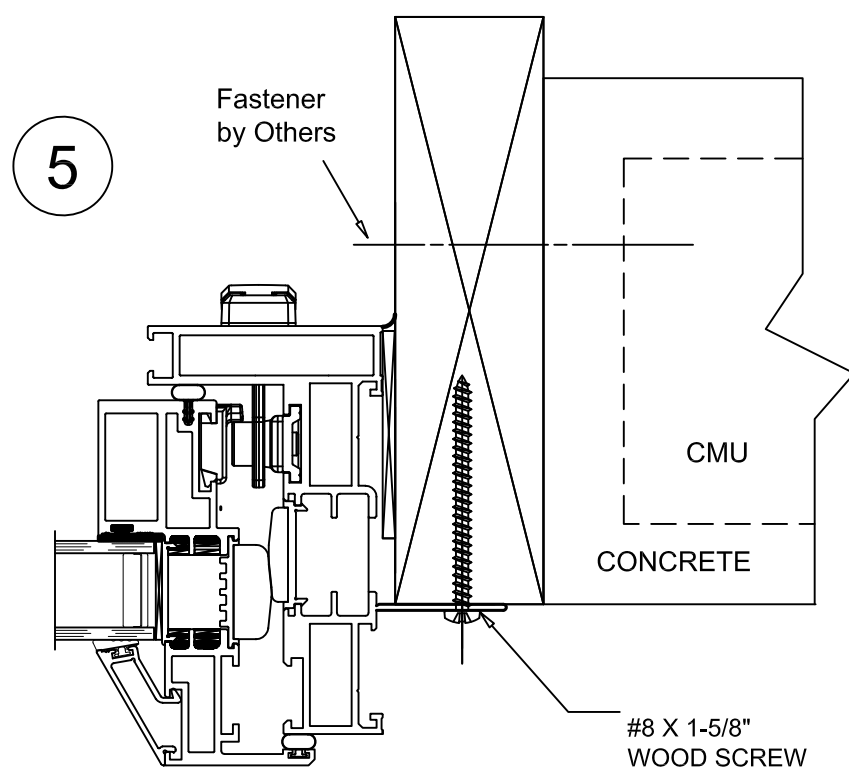


NOTE: TYPICAL C600/C605 ONE TONE - CASEMENT WINDOW - NAIL FIN INSTALLATION

INTERIOR



EXTERIOR



See Detail 4 on sheet 2 for wood anchorage

Project Name: **C600/C605 Casement One Tone**
Installation Instructions

GENERAL NOTES
QUAKER WINDOW PRODUCTS WILL NOT BE RESPONSIBLE FOR FIELD MEASUREMENT, QUANTITIES, & INSTALLATION DESIGN. CONTRACTOR MUST VERIFY ALL DIMENSIONS.

PHONE (573)-744-5211
FAX (573)-744-5586
COMMERCIAL
FAX (573)-744-5822
www.quakerwindows.com

Scale: NONE
Sheet #: 3 of 4

504 Highway 63 South
Freeburg, MO 65035
drafting@quakerwindows.com

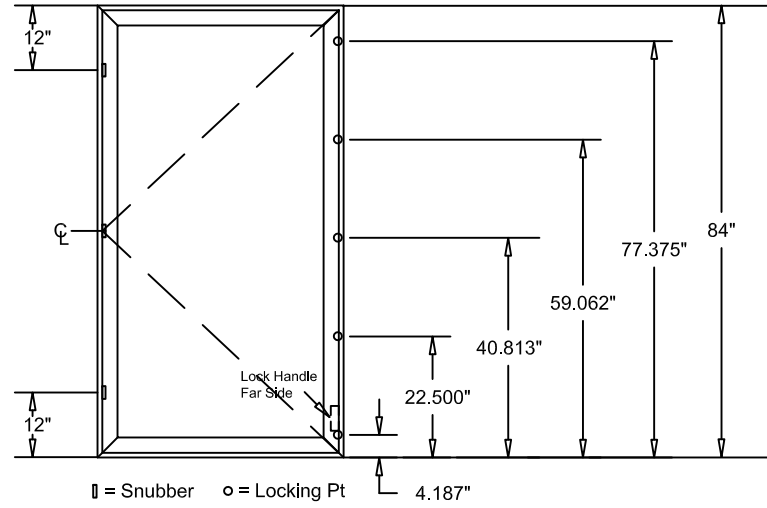
Drawn By: Bud
Date: 08-22-2023

Tanya A. Dolby, P.E.
FL P.E. No. 93536
Intertek – ATI
130 Derry Ct. York, PA 17406
(717) 764-7700
Project: Q5070.01

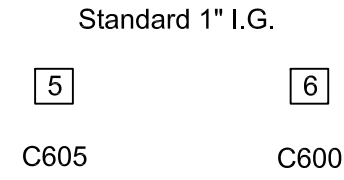
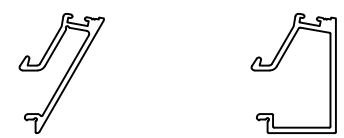
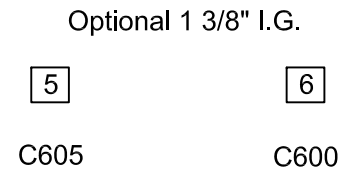
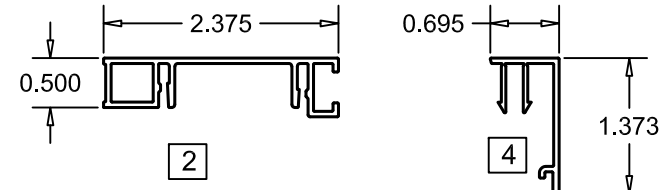
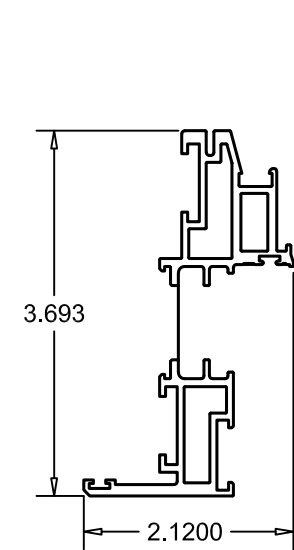
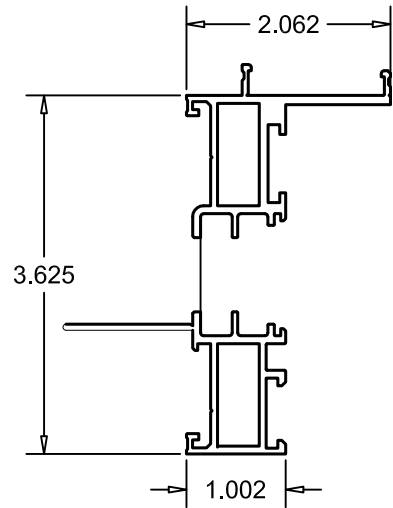
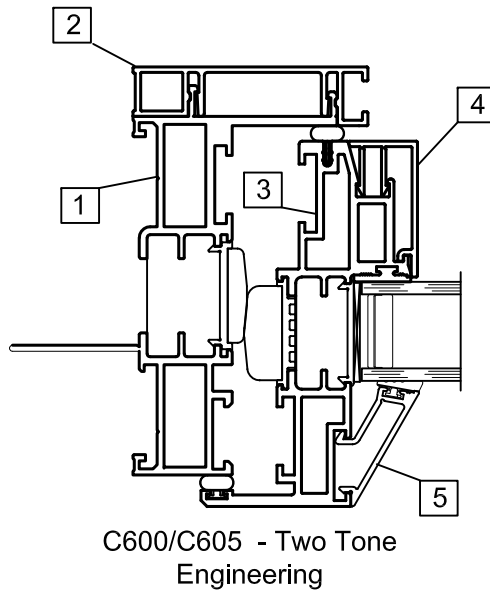
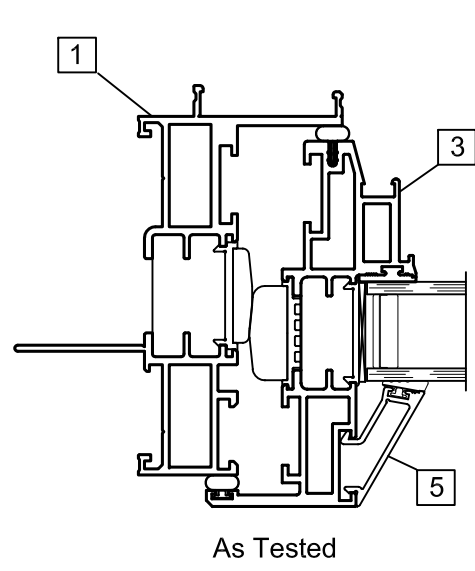


NOTE: TYPICAL C600/C605 TWO TONE FIXED WINDOW - NAIL FIN INSTALLATION

Bill of Materials				
NO.	Description	Part Number	Material	Manufacturer
1	Frame w/ Nail Fin - 2T	23008	Aluminum 6063-T6	Tower Extrusions
2	Frame Cladding	23048	Aluminum 6063-T6	Tower Extrusions
3	Sash - 2T	23609	Aluminum 6063-T6	Tower Extrusions
4	Sash Cladding	23688	Aluminum 6063-T6	Tower Extrusions
5	Beveled Glazing Bead	23982	Aluminum 6063-T6	Tower Extrusions
6	Square Glazing Bead	23114	Aluminum 6063-T6	Tower Extrusions
Hardware				
Part	Number	Qty	Manufacturer	
14" Roto Operator	55.00.XX.222	1	Truth	
Contour LP Euro Lock	24.45.XX.001	1	Truth	
CHIC LH Hinge	43540002	1	Giesse	
CHIC Snubber	4358800	3	Giesse	
OS Security Lock Point	2067000	5	Giesse	
Transmission Bar	03524N	2	Giesse	
Ramp Block	2352	1	Truth	



Tanya A. Dolby, P.E.
 FL P.E. No. 93536
 Intertek - ATI
 130 Derry Ct. York, PA 17406
 (717) 764-7700
 Project: Q5070.01



Project Name: **C600/C605 Casement**
Two Tone
Installation Instructions

GENERAL NOTES

QUAKER WINDOW PRODUCTS
 WILL NOT BE RESPONSIBLE
 FOR FIELD MEASUREMENT,
 QUANTITIES, & INSTALLATION
 DESIGN. CONTRACTOR MUST
 VERIFY ALL DIMENSIONS.

PHONE (573)-744-5211
 FAX (573)-744-5586
 COMMERCIAL
 FAX (573)-744-5822
 www.quakerwindows.com

Scale: NONE
 504 Highway 63 South
 Freeburg, MO 65035
 drafting@quakerwindows.com

Sheet #: 4 of 4

Drawn By: Bud
 Date: 08-22-2023

